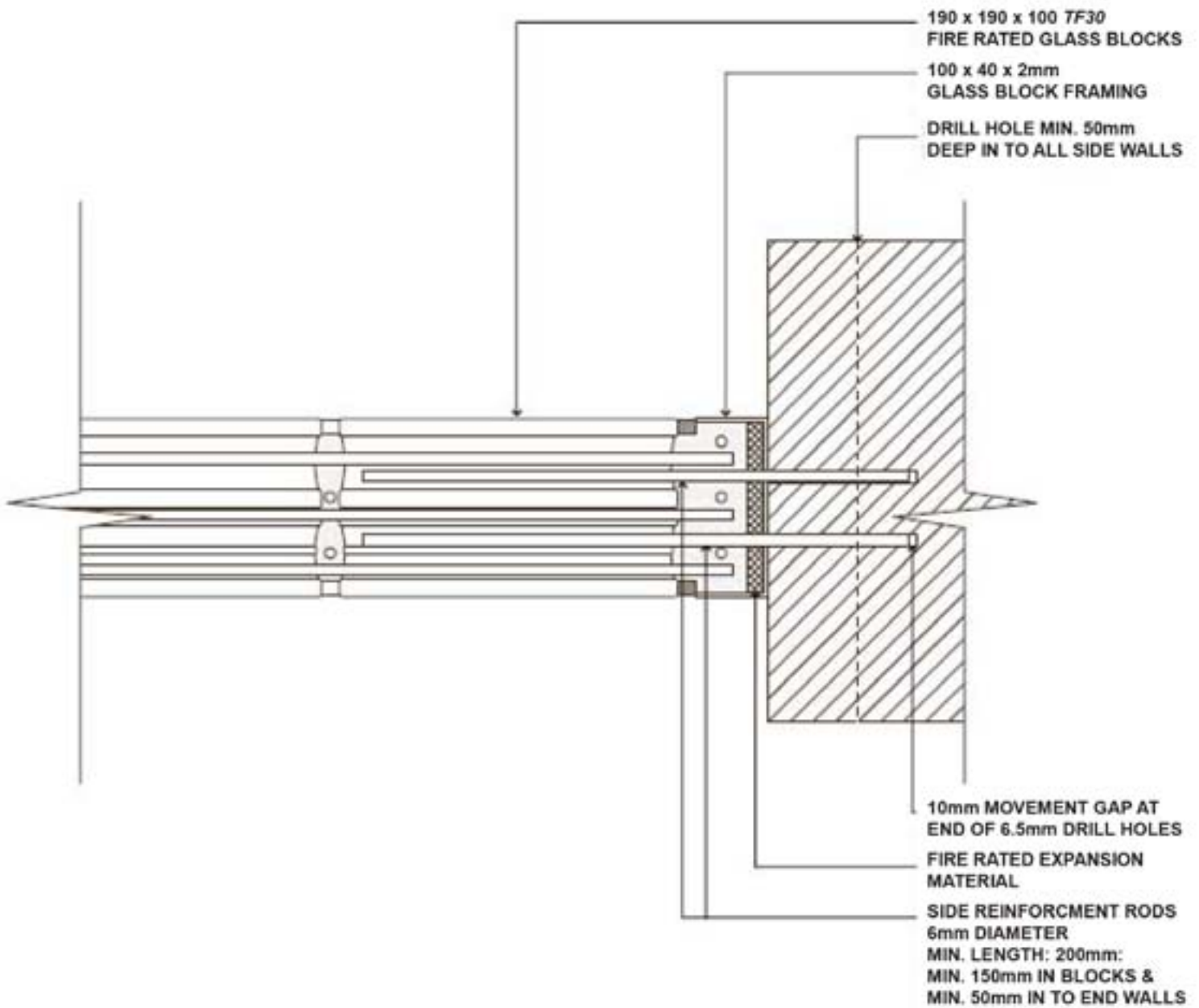


DWG15 : FRL -/60/30 Fire Rated Installation

Note: See DWG16 for fixing detail



DWG16 : FRL -/60/30 Fire Rated Fixing Detail